

LD242-C1

Yacht Spreader LED Light

Install sheet - Page 1

SPECIFICATION

LED surfaced mounted luminaires are class III for Safety Extra Low Voltage **DC** supply. The product should only be used with a supplied or LightGraphix approved **350mA, 500mA or 700mA** constant current driver.

Suitable for mounting on normally flammable surfaces.

Lamp: **C1 LED Engine.**

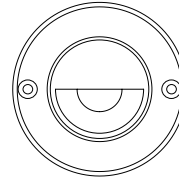
This fitting is **IP68** rated (not for permanent submersion).

Lumen Maintenance: L90B5 at 90,000hrs.

LD242 - C1			
Product & LED Output Code	Power Output	Max Ambient	Energy Class
LD242-C1-350	350mA 1.2W	-20° to 50°	E
LD242-C1-500	500mA 1.7W	-20° to 50°	E
LD242-C1-700	700mA 2.4W	-20° to 50°	F

/GS

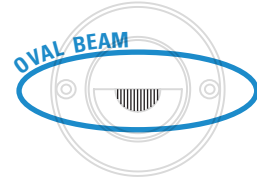
Glare Shield



Wall/Lit Surface

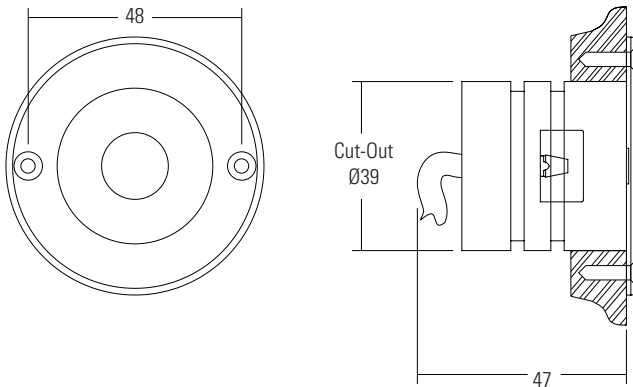
/OB

Oval Beam Orientation



Wall/Lit Surface

DIAGRAM



INSTALLATION

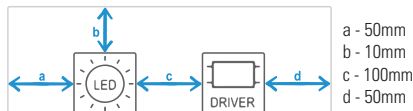
1. Bore clearance holes to suit dimensions below.
2. Bore two 2.3mm holes for screws at given centres above.
3. Wire the luminaire to a specified driver.

NOTE: Connections in wet environments. Make IP68 connection to stop water travelling up the cables into the fittings. Refer to IP connection sheet for further details.

4. Push in the luminaire into the cut-out hole.
5. Fix using two screws; No.4 Self-tapping countersunk screws recommended.

LED & CONTROL GEAR SEPARATION DISTANCES

Warning – Risk of overheating or fire if the clearance distances are compromised. Building insulation must not cover the control gear.



SEE CONSTANT CURRENT WIRING SHEET FOR IN SERIES WIRING DIAGRAM

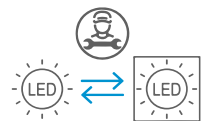
Do not power up until fitting is wired correctly! Constant current LEDs must be wired in series, polarity is critical. Please refer to specified driver sheet for details on the minimum and maximum number of LEDs per circuit. To be used in conjunction with an eldoLED ECOdrive 361/A.

CORE COLOUR & POLARITY

Colour of Cable	Red	Black
Polarity	+	-

END OF LIFE

This fitting contains a replaceable (LED only) light source, that must be replaced by a professional. If the product has come to the end of its life or is in need of repair please contact LightGraphix or your preferred recycling scheme.



IMPORTANT

Make sure that all cables and connections are securely connected before switching on the power. Failing to do this can lead to failure of the LEDs and/or the driver. If the LEDs do not work upon power up, turn off the power source immediately and check the polarity of the wiring. Any attempt made to open up and/or modify the luminaire will invalidate the manufacturers warranty. The external cable of this luminaire cannot be replaced; if the cable is damaged the luminaire shall be destroyed. This is inclusive of but not limited to removal of the LightGraphix product label or removal of any parts from the main body of the product including bezels, electrical components and factory fitted fixing methods (unless otherwise stated in these instructions). Luminaire should be wired no further than 30 meters away from a SELV constant current LED driver (based on a 1mm squared cross sectional cable). Forward voltage of luminaire is 18VDC, if wired in series UOOUT of LED driver and luminaire circuit should not exceed 60VDC. Terminal block not included. Installation must be performed by a qualified person. For connections made in dry environments 2 x Wago 221-2411 or connections with similar specifications are recommended. For damp or wet environments a connector of the same electrical specification but with a suitable IP rating should be used. The fitting guarantees a minimum static load resistance of 5kN. The rated maximum surface temperature is less than 100°C.

MAINTENANCE

Clean with soft damp cloth
LED: Please contact LightGraphix

CONNECTION

-Wire Connection Method: Clamp
-No. of Positions: 1Way
-Rated Voltage: 450V
-Rated Current: 32A
-Wire Size (stranded): 18 - 14AWG